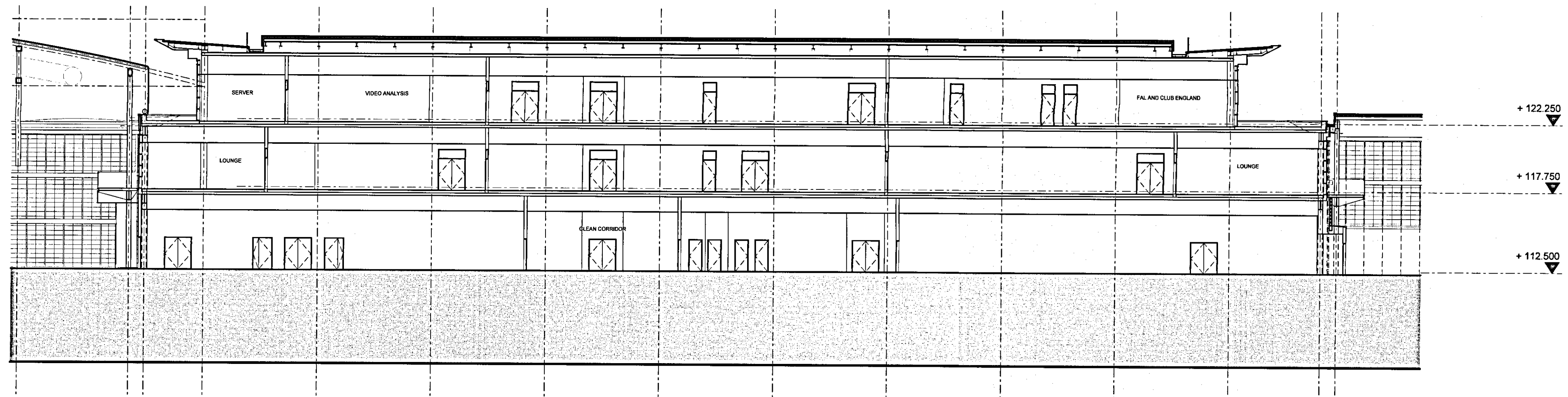
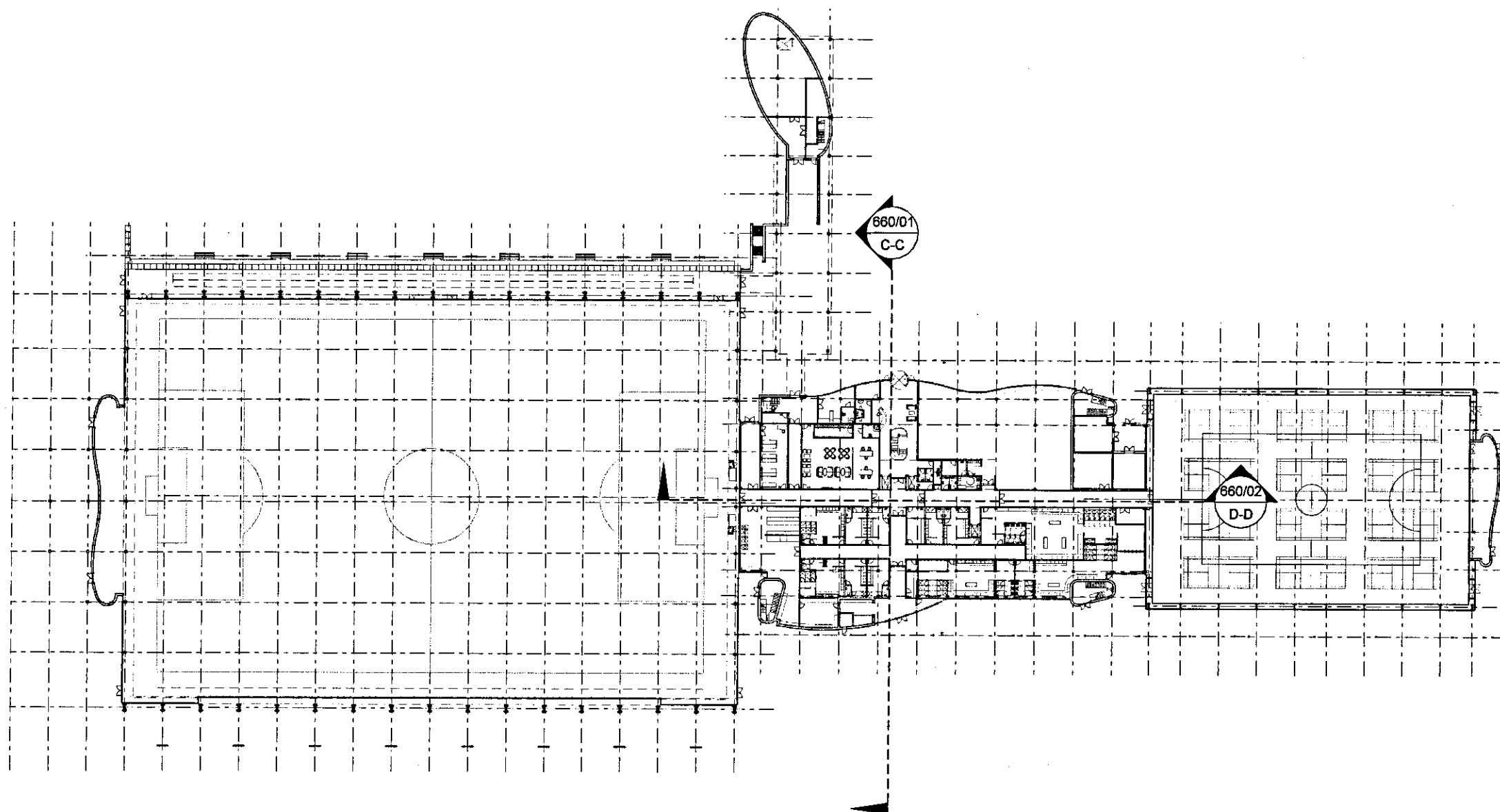


09003-660/01
SPORTS HUB BUILDING PROPOSED SECTION C-C
SCALE 1:200

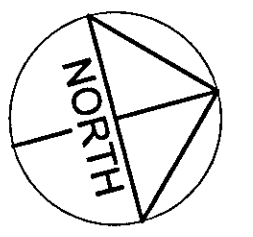


09003-660/02
SPORTS HUB BUILDING: PROPOSED SECTION D-D
SCALE 1:200



09003-660/03
SPORTS BUILDING: PLAN
SCALE 1:1000

Notes
1. To be read with CDM Risk Register
2. Do not scale, check this is the latest version, if in doubt, ask see drawing issue log for issue history



NOTE:
1. All public realm/landscaping shown for indicative purposes only.
2. All internal layouts shown for indicative purposes only.

P/10/00255

RECEIVED
24 FEB 2010
TIME:

| Rev | Notes | Date | By | Review |
|-----|--------------------------|------------|----|--------|
| C | ISSUED FOR PLANNING | 2010/02/22 | MC | SG |
| B | Draft Issue For Comments | 2010/01/29 | MC | SG |
| A | General Update | 2010/01/08 | MC | SG |
| - | First Issue | 2009/12/22 | WB | BF |

redboxarchitecture

Red Box Architecture, 21 Nicholas Chare, Newcastle upon Tyne, NE1 1RU
t: +44 (0)191 245 7105, f: +44 (0)191 245 7111, email@redboxdesign.com, www.redboxdesign.com
Red Box Design Group Ltd trading as Red Box Architecture
redboxdesigngroup : redboxinteriors : redboxgallery

THE NATIONAL FOOTBALL CENTRE
ST GEORGE'S PARK

SPORTS HUB BUILDING
Proposed Sections

| | | | |
|-------|----------|-----|---|
| 1:200 | 09 003 | 660 | C |
| A1 | PLANNING | | |